

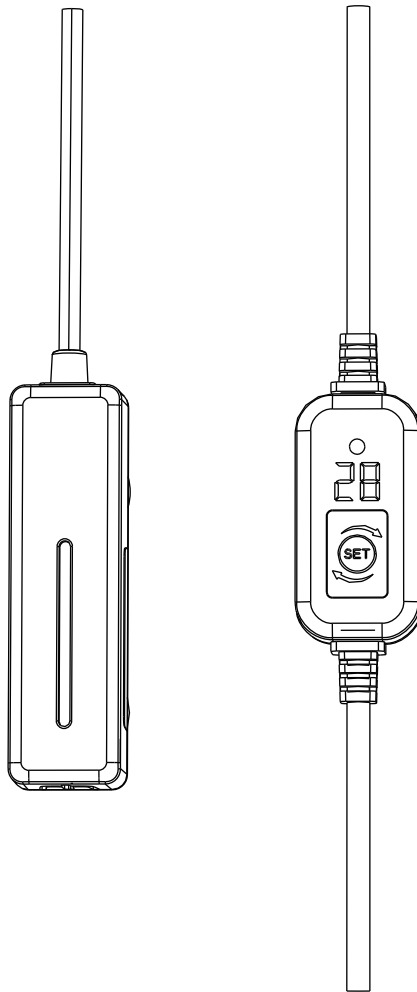


E-mail: distributor@hyggeraquarium.com

Website: www.hyggeraquarium.com



HG142 hygger Alertness Nano Heater User Manual

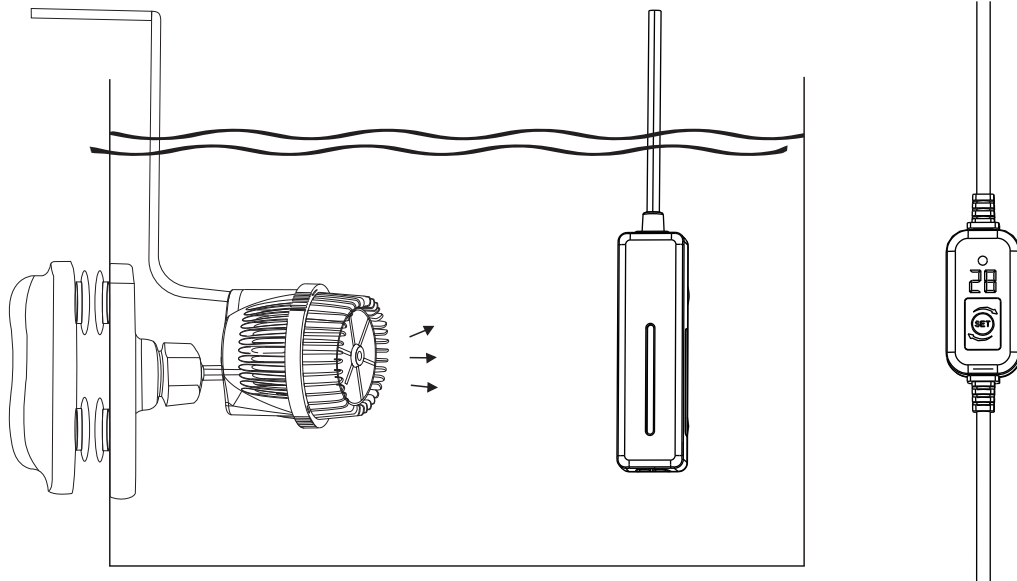


hygger Alertness Nano Heater is perfect for 1~15 gallons (3.5-57L) aquariums and ideal for desktops, offices, or homes.

CAUTION

The heater must be fully submerged when it is in operation. Unplug the heater and wait 15 minutes before changing the water or removing the heater from the aquarium.

Please ensure enough water flow and circulation in your fish tank when using the heater.



1. PRODUCT FEATURES

Digital LED temperature display: The multifunctional, easy-to-read digital LED display shows the current water temperature and allows precise temperature settings.

External temperature controller and easy operation: Set the desired temperature and check the setup in one clip. You can set the temperature when the display is flashing. The digits then stop flashing. Then press the "SET" button to check your setup at a clip.

Memory function and automatic switch-off: In the event of a power failure, the memory function allows the appliance to save the entered data. Once the set temperature has been reached, the heating element switches off.

Explosion-proof quartz heating tube: The quartz glass heating element is explosion-proof and well-insulated, making it safer than conventional aquarium heaters.

Intelligent overheating and dry-running protection: Intelligent overheating and dry-running protection: The heater switches off automatically when the heating element comes into contact with air. The LED display then shows the error message "Er" and the current temperature. If the water temperature reaches or exceeds 36 °C (97 °F), the LED display shows "EE", and the heater will emit a buzzing sound and then switch off automatically. When the water temperature is below 12 °C (54 °F), the LED display shows "EU"; the heater will emit a buzzing sound, and then switch off automatically.

2. PRODUCT SPECIFICATIONS

Model	HG142		
Power	20W	50W	75W
Application	1-5Gal/3-19L	5-10Gal/19-38L	10-15 Gal/38-57L
Volt/freq	US standard: AC 110-120V/60Hz UK/EU/AU standard:AC220-240V/50Hz Japan standard:AC100-110V/50-60Hz		
Cord length	0.8m+1.3m(2.6ft+3.9ft)		
Temp accuracy	±2°F(±1°C)		
Control range	59°F-93°F (15°C -34°C)		
Heating rod dimension	4.1x1.2x1" (10.5x3x2.5cm)		

3. INSTRUCTIONS

a. After plugging in, the display flashes for 3 seconds; the desired temperature can be set. The indicator light lights up red; then the heating element is in operation.

b. When the set temperature is reached, the light turns green. The heating element stops heating. It resumes heating when the water temperature falls 1 °C (34 °F) below the set temperature.

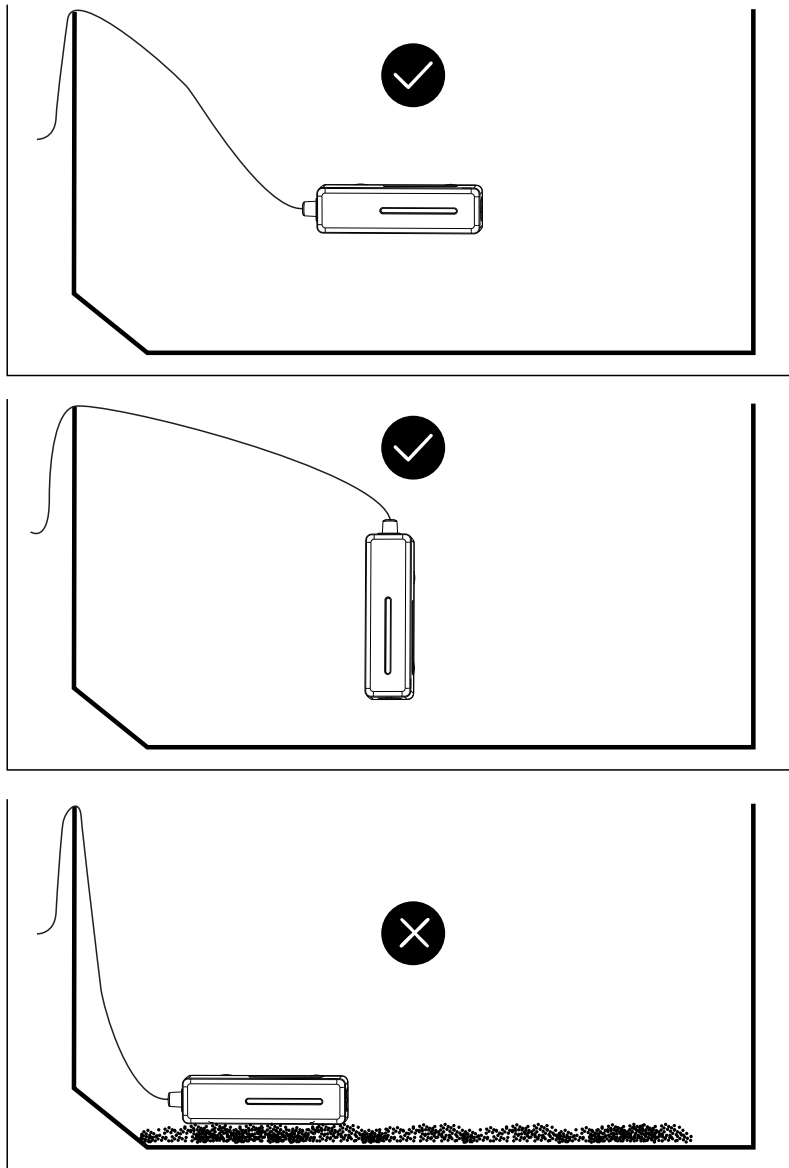
For example, if your desired water temperature is 90 °F (32 °C), press the "SET" button until the display shows "90"; hold the button until the digits "90" flash three times. The current water temperature is then displayed, and the setting is complete. You can display the last setting by pressing the "SET" button.

4. TROUBLESHOOTING

Fault Code	Explanation	Solutions
E1	The heater automatically switches off when out of water	Fully immerse the heater in water
EE	The water temperature exceeds 97 °F /36 °C	Cool the water to 97 °F /36 °C
EU	The water temperature is below 54 °F /12 °C	Raise the temperature to above 54 °F /12 °C
E1. E2. E3. E4. E8. E9	The heater is damaged	Unplug the power supply immediately, do not use it, and replace it

5. APPLICATION

Place the heater as shown in the illustration below

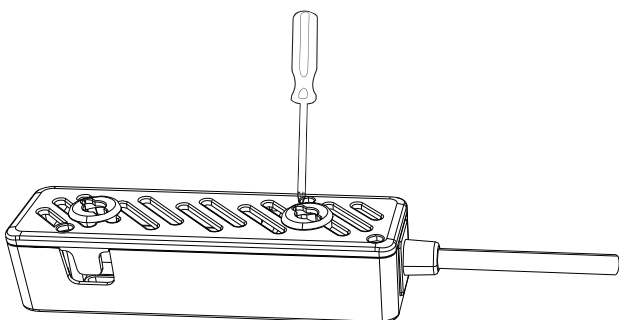


6. MAINTENANCE

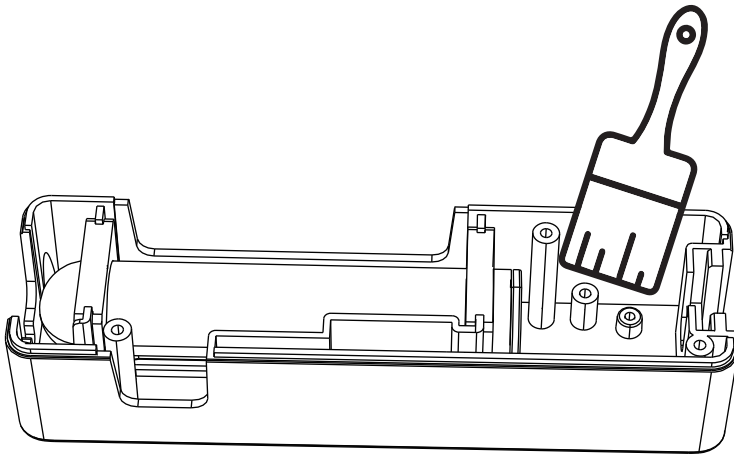
- Before carrying out maintenance work, unplug or switch off all electrical devices on and in the aquarium.
- Do not use detergents or other chemical cleaners.
- To clean the heater, remove the plug from the socket and leave the heater in the aquarium for 15 minutes to cool down. Only then remove it. Wash the heater with clean water.

How to clean the heater correctly:

- a. Unscrew the heater with a screwdriver to open the cover.



b. Use a brush to clean the heater with the cover open.



c. Close the cover and screw it tight.

7. WARNING

To avoid possible electric shock, do not immerse the switch in the water. If the switch falls into the water or becomes wet, do not touch it until you have unplugged it. Basic safety precautions that should be observed are as follows:

1. Read and follow this user manual strictly.

2. **DANGER-** To avoid possible electric shock, special care should be taken since water is employed in the use of aquarium equipment. For each of the following situations, do not attempt to repair yourself. Instead, return the heater to an authorized service facility for maintenance or discard it.

A. If the heater shows any sign of abnormal working or, unplug the power and remove the heater from the water after 15 minutes.

B. Carefully examine the heater after installation. It should not be plugged in if there is water on parts that are not intended to be wet.

C. Do not operate the heater if it has a damaged cord or plug, is malfunctioning, dropped, or damaged in any manner. The power cord of this heater cannot be replaced. If the cord is damaged, the heater should be discarded.

D. To avoid the possibility of the heater plug getting wet, position the aquarium and its stand to one side of a wall mounted outlet to prevent water from dripping onto the outlet or plug. A “drip loop”, shown in the figure below, should be arranged by the user for each cord, which connects the heater to the outlet. If an extension cord is used, the “drip loop” is the part of the cord below the level of the outlet or the connector that prevents water from traveling along the cord and coming in contact with the outlet. If the plug or outlet does get wet, **DO NOT** unplug the cord. Disconnect the fuse to the circuit breaker that supplies power to the heater. Then, unplug and examine for the presence of water in the outlet. If you are not sure, consult a certified electrician.

POWER CORD



DRIP LOOP

3. Close supervision is necessary when the heater is used near children.
4. This heater is not allowed to be used by persons (including children) with reduced physical sensory or mental capabilities, or lack of experience and knowledge unless they have been given supervision or instruction concerning the use of the heater by a person responsible for their safety.
5. To avoid injury, do not contact moving or hot parts.
6. Always unplug the heater from the outlet when not in use, before putting on or taking off parts, maintenance, or placing hands in the water. Never yank the cord to pull the plug from the outlet. Grasp the plug and pull to disconnect.
7. Do not use the heater for other than intended use. The use of attachments not recommended or sold by the appliance manufacturer may cause an unsafe condition and will void the warranty.
8. Do not install or store the heater where it will be exposed to extreme weather or temperatures below freezing.
9. Only use the heater in freshwater or saltwater, do not use it in other liquids.
10. Make sure the heater is securely installed before operating it.
11. Read and observe all the important notices on the heater.
12. If an extension cord is necessary, a cord with a proper rating should be used, such as rated amperes or watts. A cord rated for fewer amperes or watts than the heater rating may overheat. Care should be taken to arrange the cord so that it will not be tripped over or pulled.
13. The heater is intended FOR HOUSEHOLD USE ONLY.
14. SAVE THIS USER MANUAL.

8. ATTENTIONS

- √ Please check all the items to inspect their condition when unboxing the package.
- √ Please read this user manual carefully before using it and follow it strictly.
- √ Please choose a heater rated for your aquarium.
- √ Please place the heating rod in the way of water flow and don't bury it in the substrate.
- √ It is suggested that the heater is submerged more than 5 inches below the water.
- √ Please make sure the heating rod is fully submerged when it's on duty. Unplug the heater and wait for 15 minutes before changing the water or removing the heater.
- √ Please mind that the heater can be turned off automatically when exposed to air, but it is a last resort and should be avoided.
- √ After using the heater for a while, calcium carbonate contained in algae or moss may clump and adhere to the heating rod.
- √ If dirt adheres to the heating rod, use a sponge or cloth and water to wipe it. Do not use alcohol or other chemicals as this may damage the heater and harm the fish or other livestock.
- √ If you use the heater for a prolonged period with dirt adhered to the heating element, please be aware that failure may occur due to the inability to control the temperature correctly.
- √ Please place the heating rod far away from the magnetic brush since the magnet will possibly damage the heating element.
- √ There will be a little mist on the inner wall of the tube while heating, and it will disappear slowly after the heating stops, which means it's a normal phenomenon. So you don't have to worry about it, it is a safe and double-protected product that has passed the UL certification

9. ONE YEAR LIMITED WARRANTY

This product **MUST** be purchased from an authorized hygger reseller. Visit our website for a list of authorized resellers. hygger warrants this product against defects in materials and workmanship for ONE(1) YEAR from the date of the original retail purchase and is non-transferable.

Warranty on all products, including aquariums. But it is limited to the replacement of the products and does not cover fish loss, personal injury, property loss or direct, incidental or consequential damage caused by using this product.

Note: hygger One-year Limited Warranty does not cover damage caused by the followings: improper installation, saltwater corrosion, electrical surges or modifications. Additionally, products that have been refunded are also not covered under the warranty

If you discover a defect, please contact hygger, who will, at its option, repair or replace the product at no charge, provided that you return it during the warranty period. A copy of the bill of sale is required as proof of the original purchase date in the event of the product needing repairs within the warranty period. hygger does not warrant any products that are not hygger's.

This warranty does not apply if the product has been damaged by accident, abuse, misuse or misapplication, or modified without the written permission of hygger.

10. DISPOSAL

Do not dispose of this product as unsorted municipal waste. Collection of such waste separately for special treatment is necessary. This product has to be disposed of at an authorized place for the recycling of electrical and electronic appliances rather than being disposed of together with the domestic waste. Collecting and recycling waste is a way of saving natural resources. So, please consult with your local seller to make sure the product is disposed of in an environmentally friendly way.

11. PACKING LIST

1x Heater rod with an external controller
1x User manual

12. CONTACT INFORMATION

Distributed by: Hygger Aquarium, Inc.
13941 Magnolia Ave, Chino, CA 91710

E-mail: distributor@hyggeraquarium.com

Website: www.hyggeraquarium.com

Trademarks of Shenzhen Mago Trading Co., Ltd
Bantian Group Business Center, Longgang,
Shenzhen City, China
All Rights Reserved

Made in China